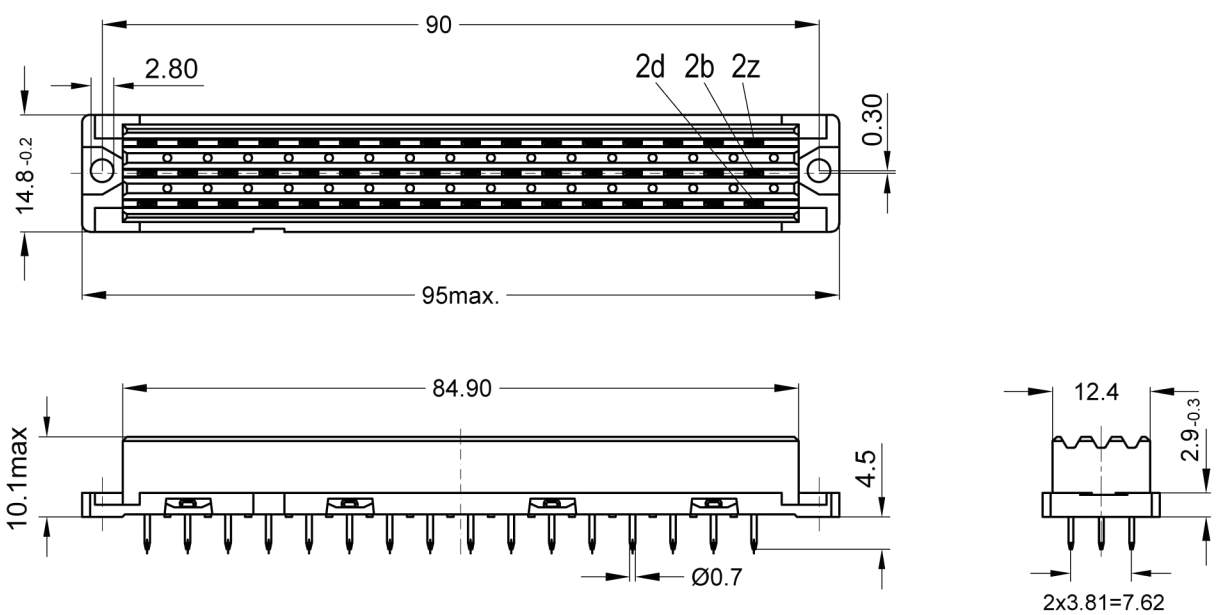
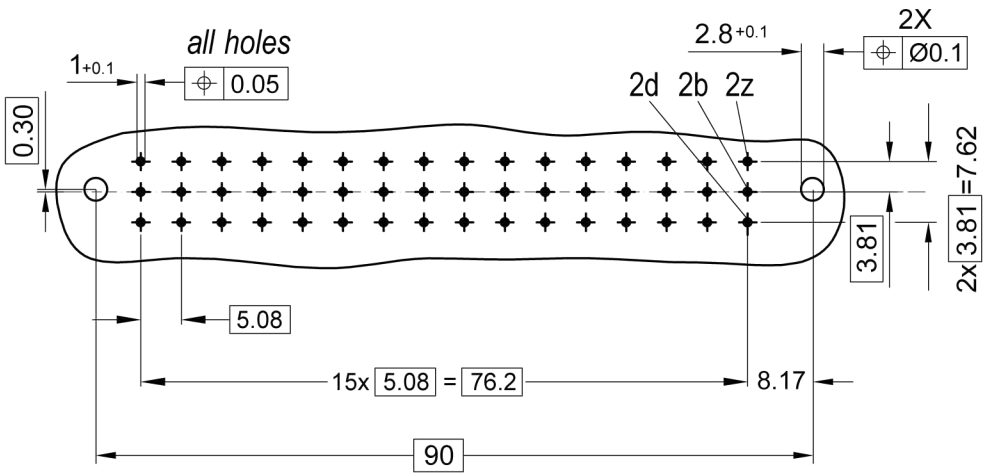


REV	ECN NO.	LOCATIONS	DESCRIPTION	DATE	DESIGN

DIMENSIONS: (dimensions in mm)



BOARD DRILLINGS:



Material:

Housing: PBT+30%GF UL94-V0
 Contacts: copper alloy

Electrical Characteristics:

Working current : 6A max
 Test voltage U r.m.s. : 1.55 kV
 Contact resistance : ≤ 15 mΩ
 Insulation resistance : ≥ 10¹²Ω
 Temperature range : -55°C...+125°C

Insertion and withdrawal force:

48 way ≤ 75 N

Contact surface:

Contact zone : gold-plated
 Termination zone : tinned-plated

EPTSH

DRAW NO: XFF002	DATE	MATERIAL: PBT+30%GF	DRAW NAME:	
DESIGN: Irere Liu	2011-02-15	FINISH: Selectively Gold-Plated	110-40584s	
CHECK: David Lam	2011-02-18	P/N NO:	MODEL:	
APPROVED: Jack Wang	2011-02-20	REV: A0	SCALE: FIT	UNIT: mm
				SHEET 1:1